

Honeywell

LIMIT SWITCH

CATALOGUE LISTING
GLS
CHART NO.
MTG-GL-170

MTG-GL-170

9

REPLACES

AO1B-38

REVISIONS

5	9/96
6	12/96
7	7/97
8	8/97
9	CO/395
1	WEIR 6/98

RELEASE NUMBER

AO1B-38

AO1B-275

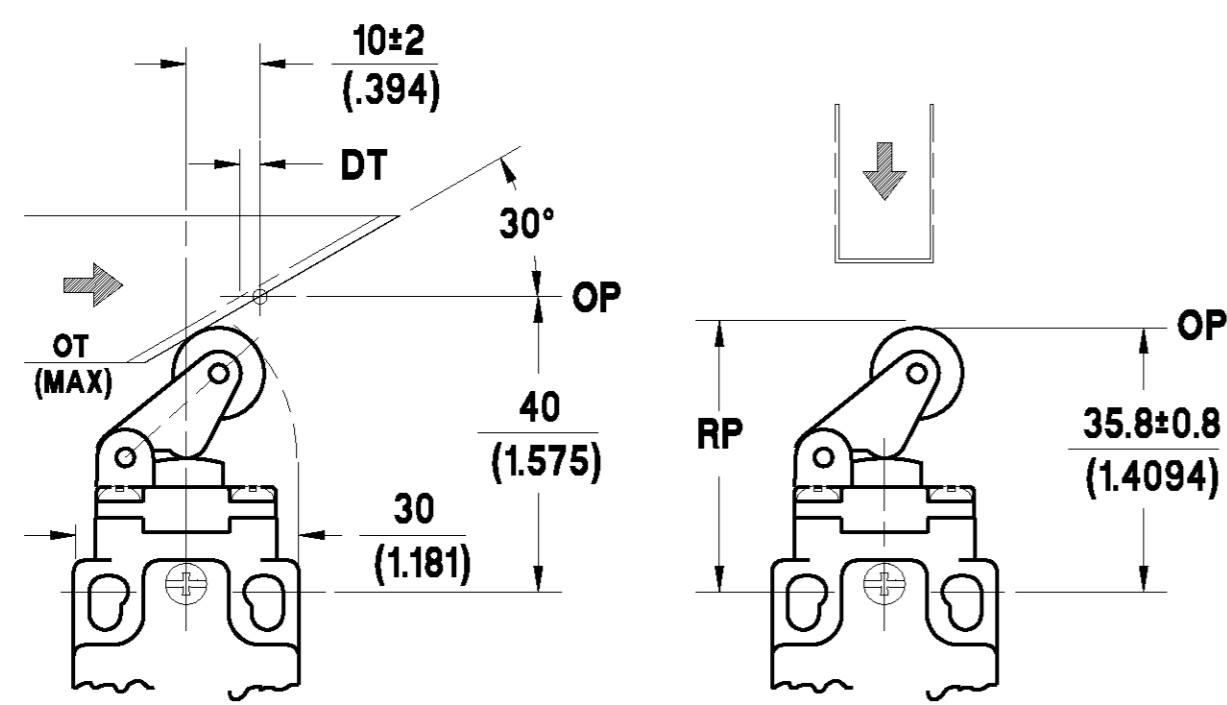
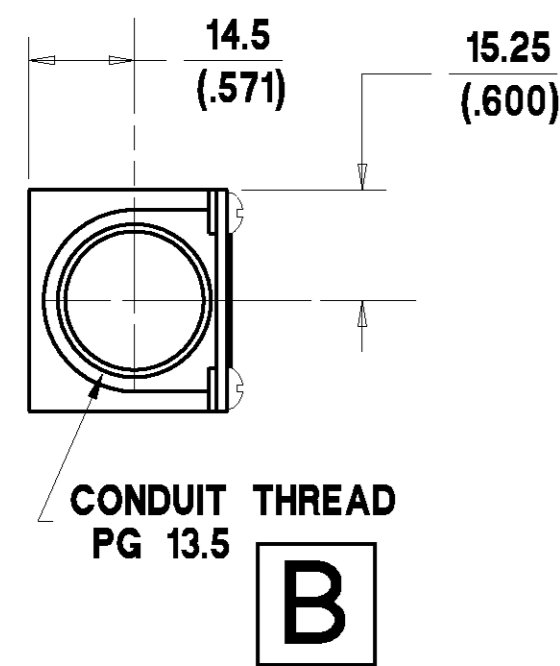
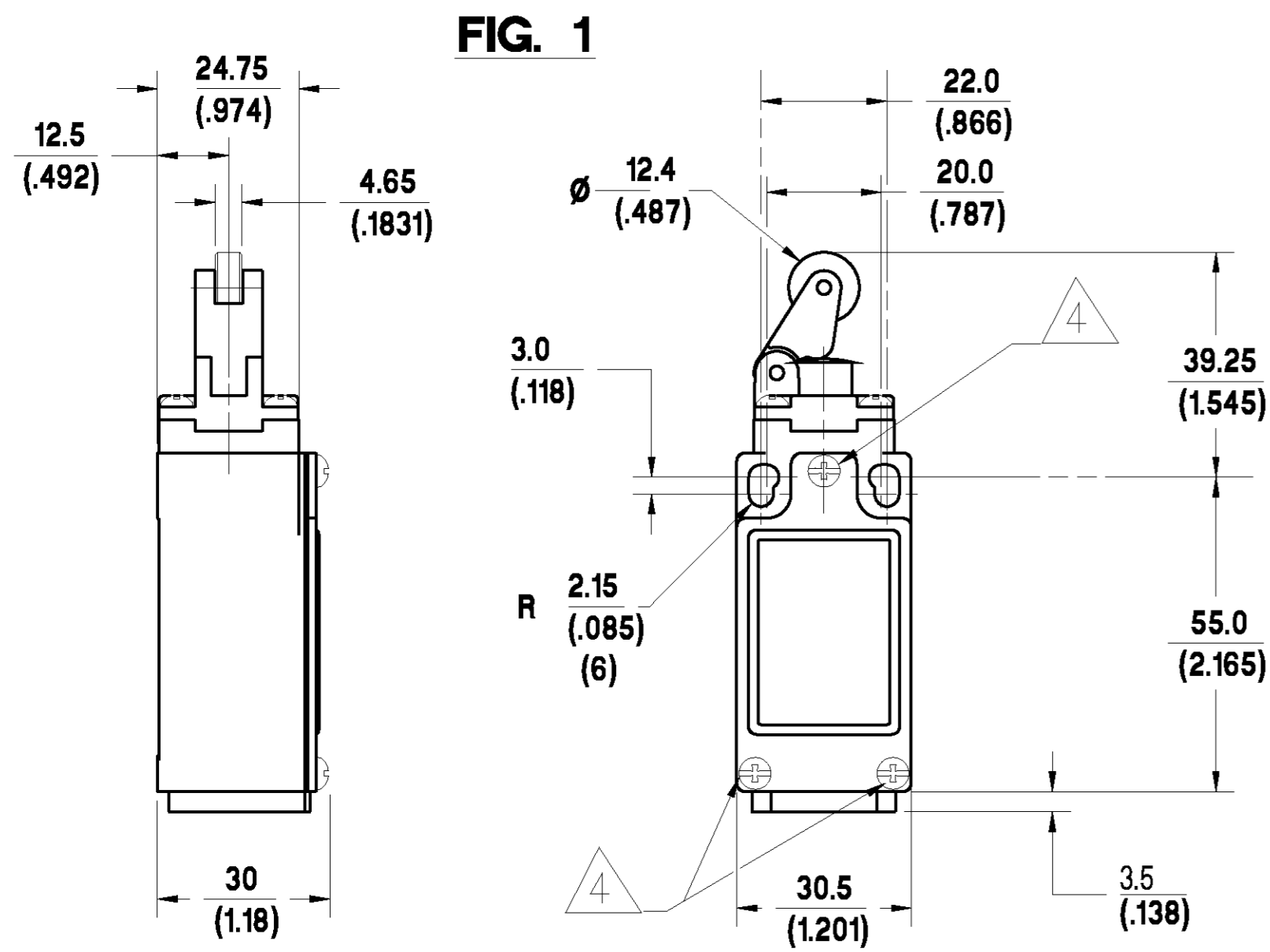
AO1B-293

CO-000083

CO-000106

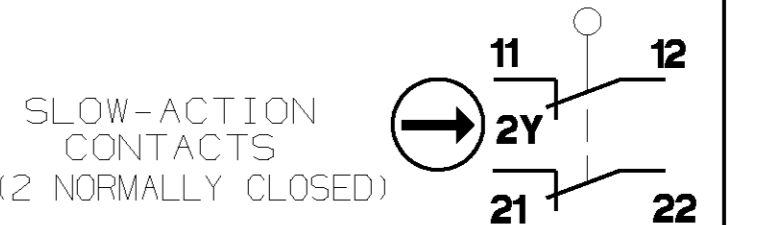
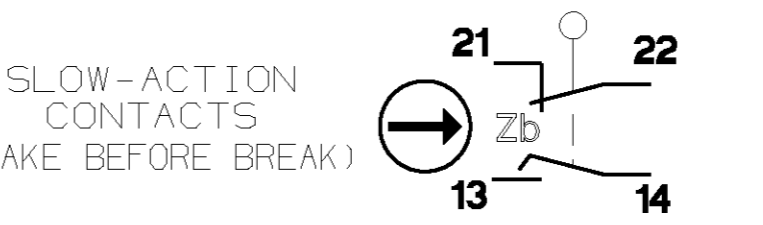
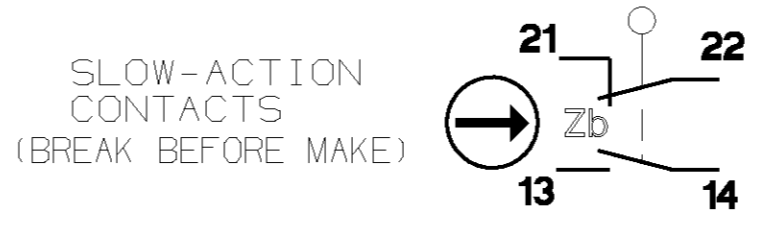
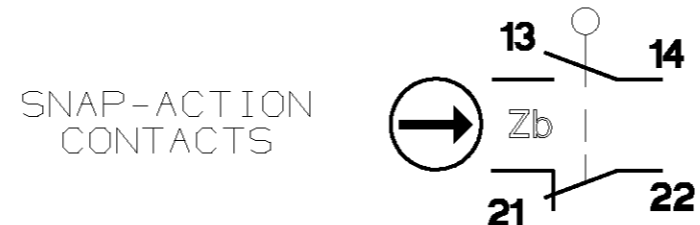
CO/395

WEIR 6/98

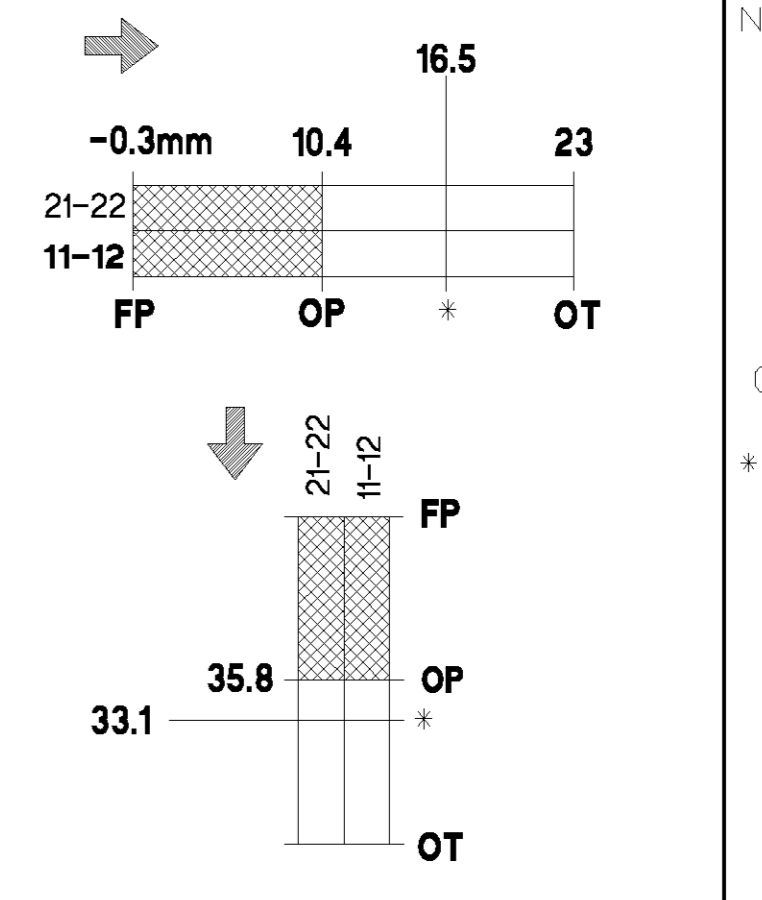
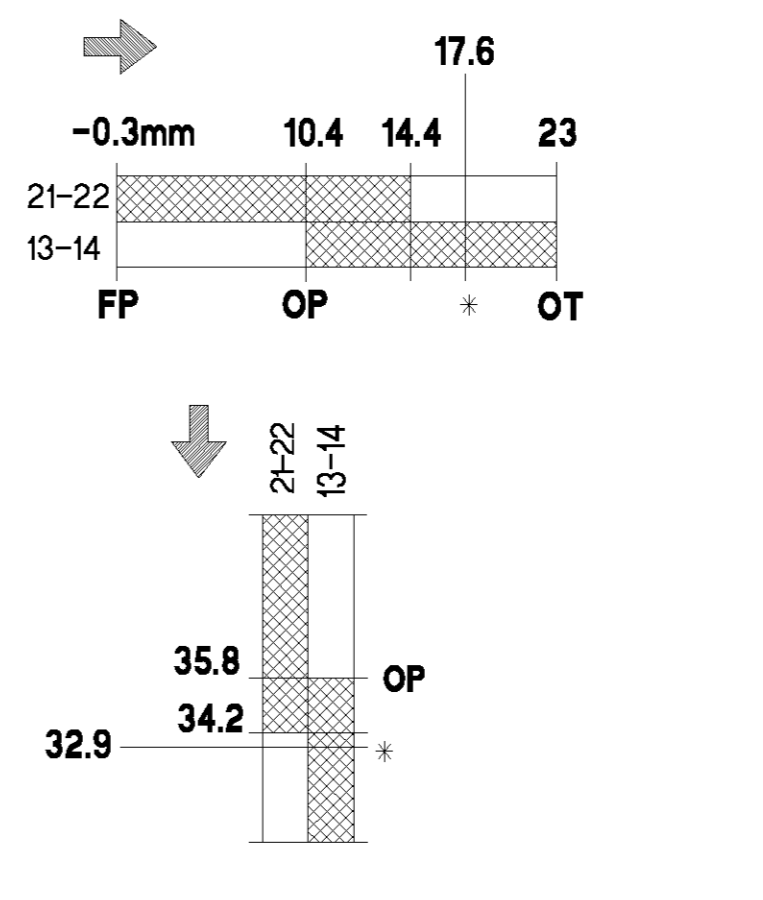
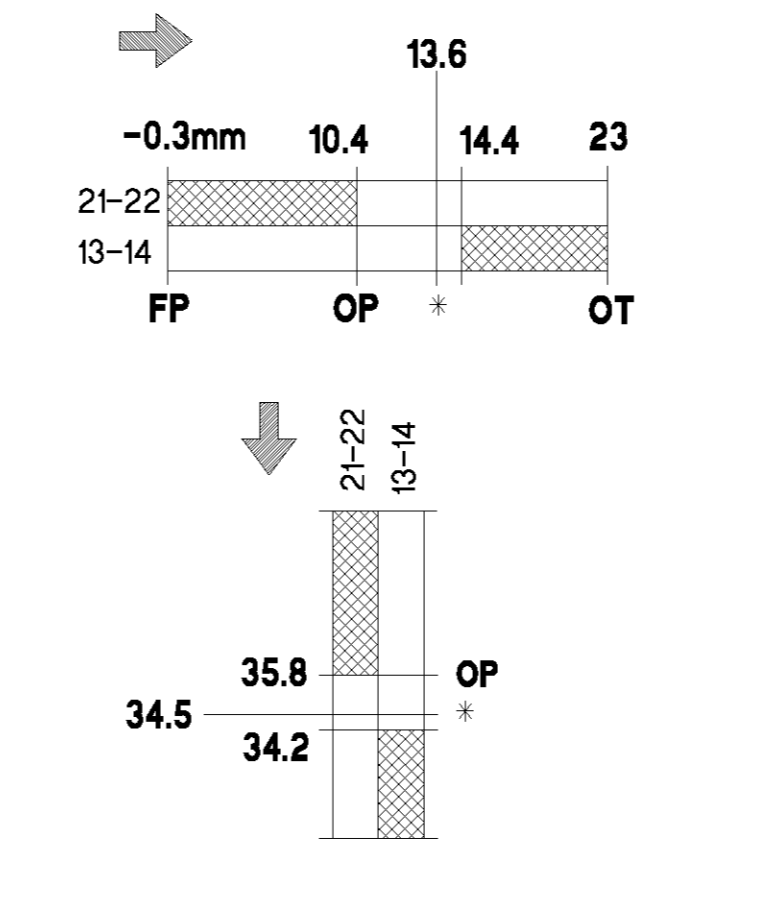
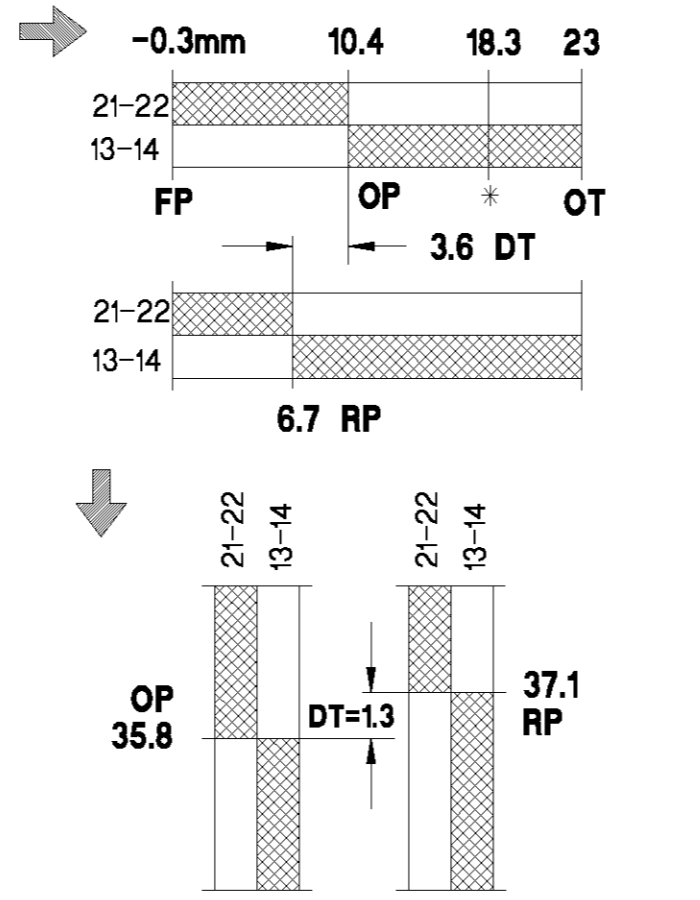


- NOTES:-
- ZINC DIECAST BODY AND HEAD WITH STEEL COVER. BODY AND COVER FINISHED IN MICRO SWITCH BLUE EPOXY PAINT. HEAD FINISHED IN BLACK EPOXY PAINT.
 - MINIMUM OPERATING VELOCITY (V_{min}) = 1.0 MM/S
MAXIMUM OPERATING VELOCITY (V_{max}) = 100 MM/S
MAXIMUM OPERATING FREQUENCY (F_{max}) = 250 OPS/MIN
(THESE LIMITS APPLY TO CAM OPERATION AS SHOWN IN THE ABOVE DIAGRAMS ONLY)
 - FREE POSITION (FP), OPERATING POINT (OP), OVERTRAVEL (OT) AND PRETRAVEL (PT) ALL TO EN50047.
 - MAXIMUM TIGHTENING TORQUE FOR FIXING SCREW = 0.5Nm (4.4in.LB)

NO CHANGES CAN BE MADE TO THIS DRAWING WITHOUT JOINT NEWHOUSE/FREEPORT APPROVAL



CONTACT BLOCK DIAGRAM TERMINAL DESIGNATION TO EN 50013



NOMINAL TRAVELS AND RELATED TERMINALS
CONTACT CLOSED
CONTACT OPEN
* POSITIVE OPENING TO IEC 947-5-1-3

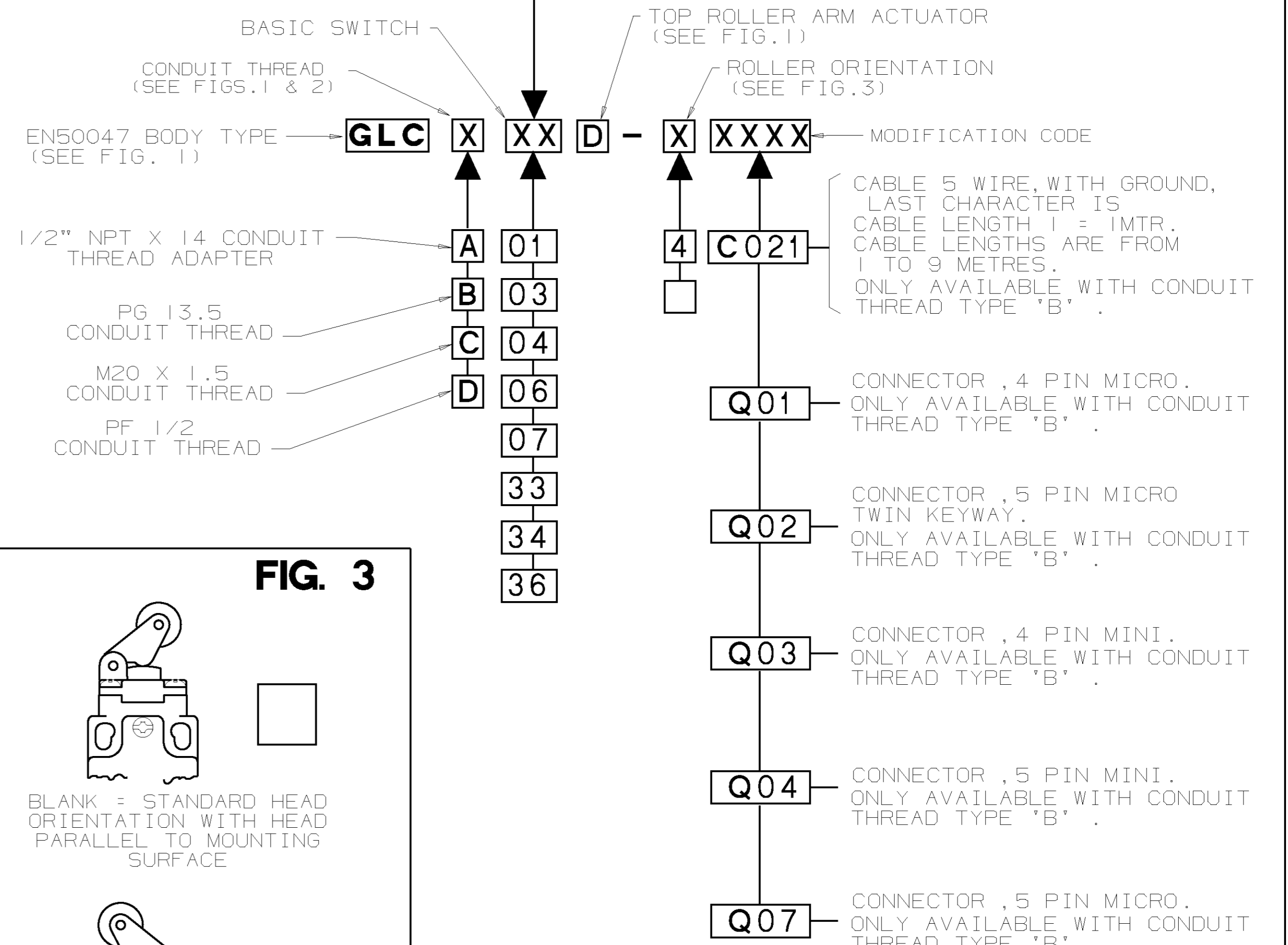
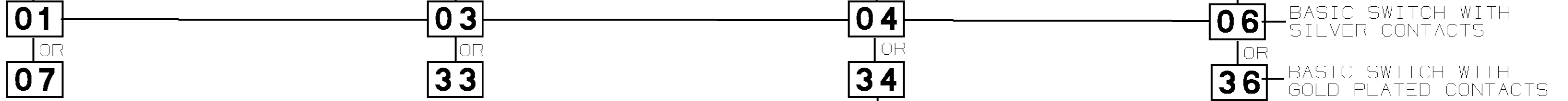
10 (2.2)
13 (3.0)

9 (2.0)
16 (3.6)

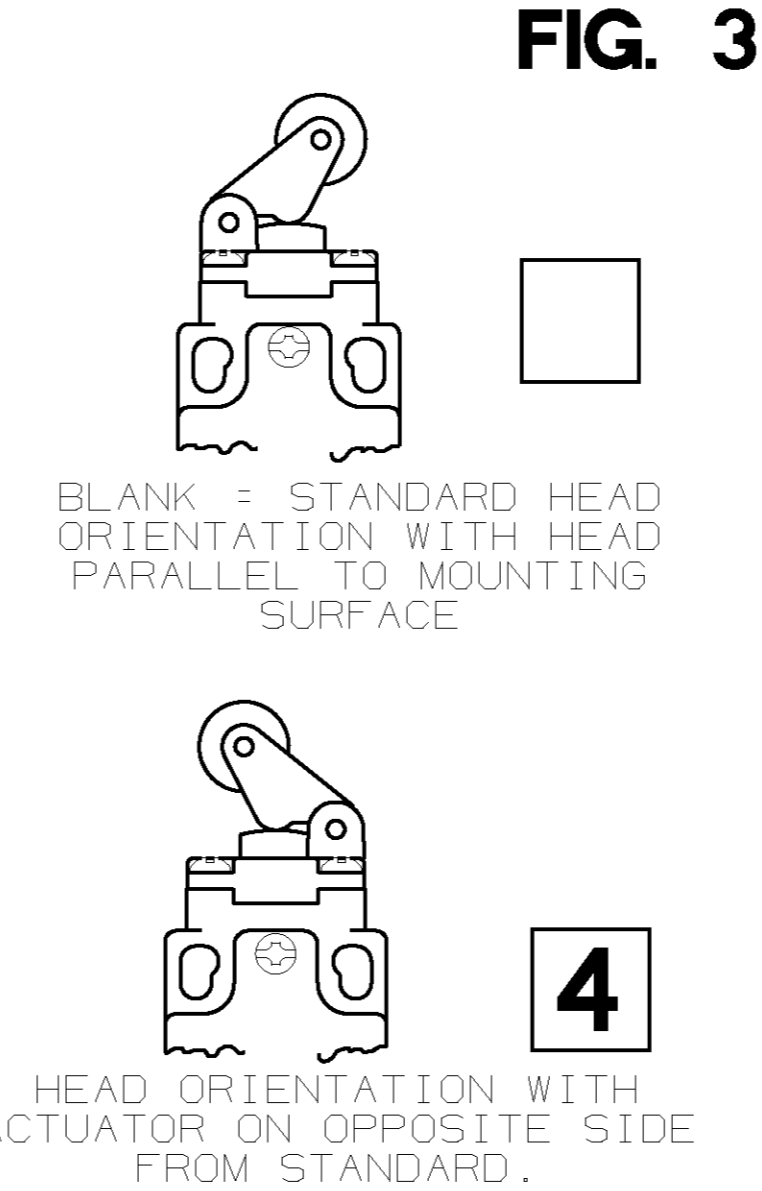
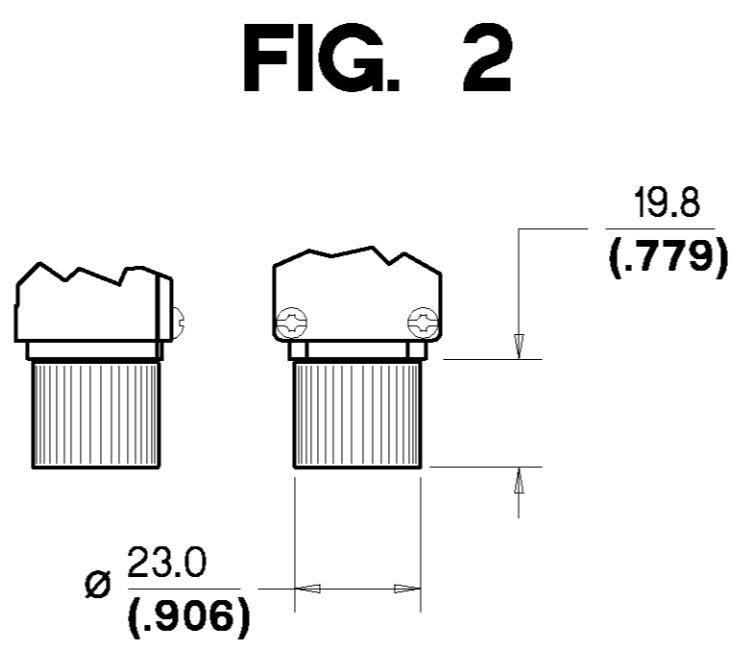
10 (2.2)
17 (3.8)

8 (1.8)
13 (3.0)

NORMAL OPERATING FORCE MAX (lbf)
N
MAXIMUM DISCONNECT FORCE (lbf)
N



NOTE:- ANY STANDARD LISTING WITH SUFFIX 'RS' OR 'FE' IS PERMITTED.



3/93	STANDARD SILVER CONTACTS	GOLD PLATED CONTACTS	ENVIRONMENTAL		APPROVALS
3/93	ELECTRICAL RATING	ELECTRICAL RATING	ENVIRONMENTAL		APPROVALS
3/93	AC	DC	ENVIRONMENTAL		APPROVALS
	A300 AC15 Ue Ie	O300 DC13 Ue Ie	IP66 NEMA 1, 4, 12, 13		UL
	VOLTS AMPS 120 6 240 3	VOLTS AMPS 125 0.55 250 0.27	TEMP RANGE : -25°C TO 85°C -13°F TO 185°F		IEC 947-5-1
			STORAGE : -40°C TO 85°C -40°F TO 185°F		EN50047
			SHOCK : 50G PER IEC 68-2-27		
			VIBRATION : 10G PER IEC 68-2-6		
			SCALE 1:1		
			DIMENSIONS ARE IN MM/INCHES.		
			MODIFY ON CAD SYSTEM ONLY		

THE COPYRIGHT OF THIS DRAWING IS THE PROPERTY OF HONEYWELL LTD. THE DRAWING IS SUPPLIED IN CONFIDENCE AND MUST NOT BE USED FOR ANY PURPOSE OTHER THAN THAT FOR WHICH IT IS SUPPLIED.

THIRD ANGLE PROJECTION

NOTE: FOR CONNECTION DIAGRAMS AND ADDITIONAL ELECTRICAL, ENVIRONMENTAL & DIMENSIONAL INFORMATION SEE DRAWING GL-4922.